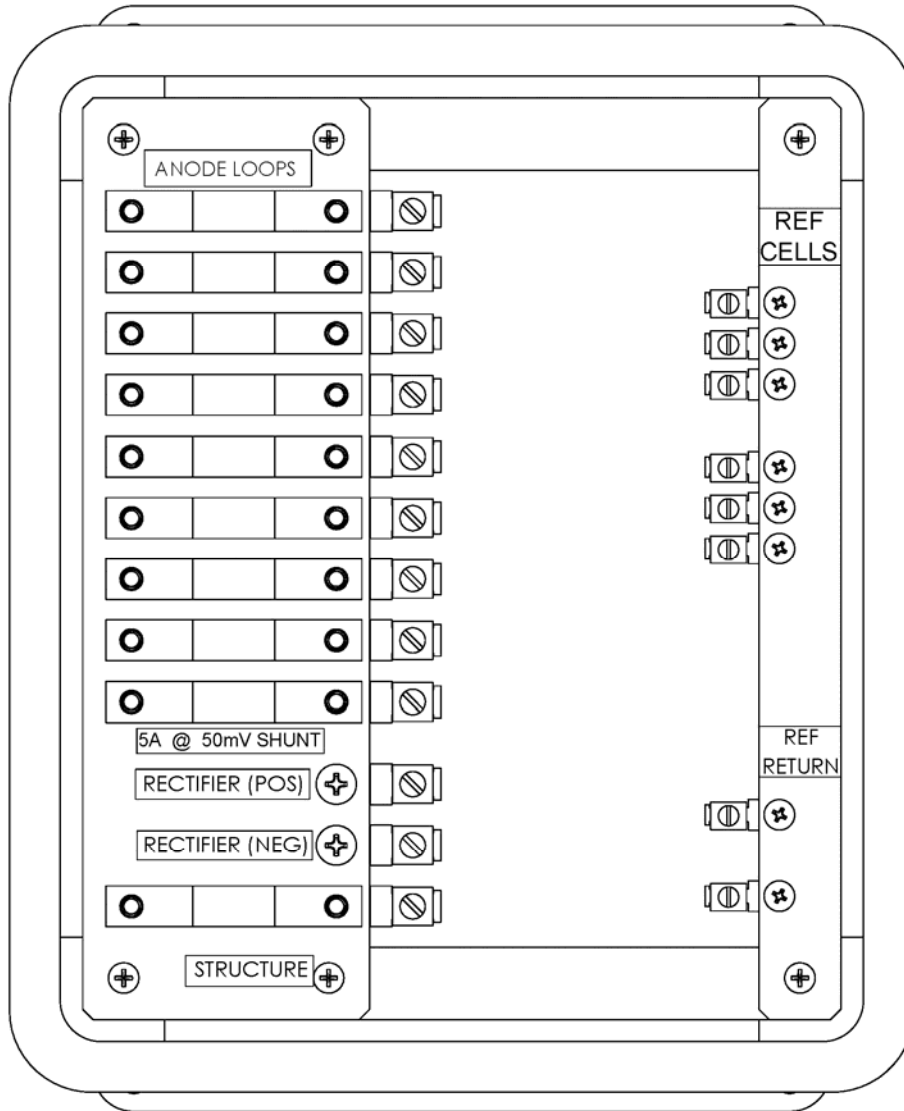


## Fiberglass Reinforced Plastic NEMA 4X Junction Box

Typical Product Data Sheet -- Terminal Count & Layout are Job Specific



CerAnode Junction Box (typical)



**Note: Structure Shunt Optional - Available Upon Request**

Box Sizes Available: 10"x8"x4"; 12"x10"x5"; 14"x12"x6"; 16"x14"x6"; 18"x16"x8"

**INDUSTRY STANDARDS & RATINGS**

STANDARD	FILE NO.	ENCLOSURE RATING
UL/cUL 50/508	E64358	1, 3, 4X, 6P, 12
NEMA 250	N/A	1, 3, 4X, 6P, 12
CSA Std C22.2	LR069014	1, 3, 4X, 6P, 12

<b>FLAMMABILITY RATING</b>	<b>UL94-5V / NON-FLAME PROPAGATING</b>
<b>ELECTRICAL INSULATION</b>	<b>FULLY INSULATED</b>